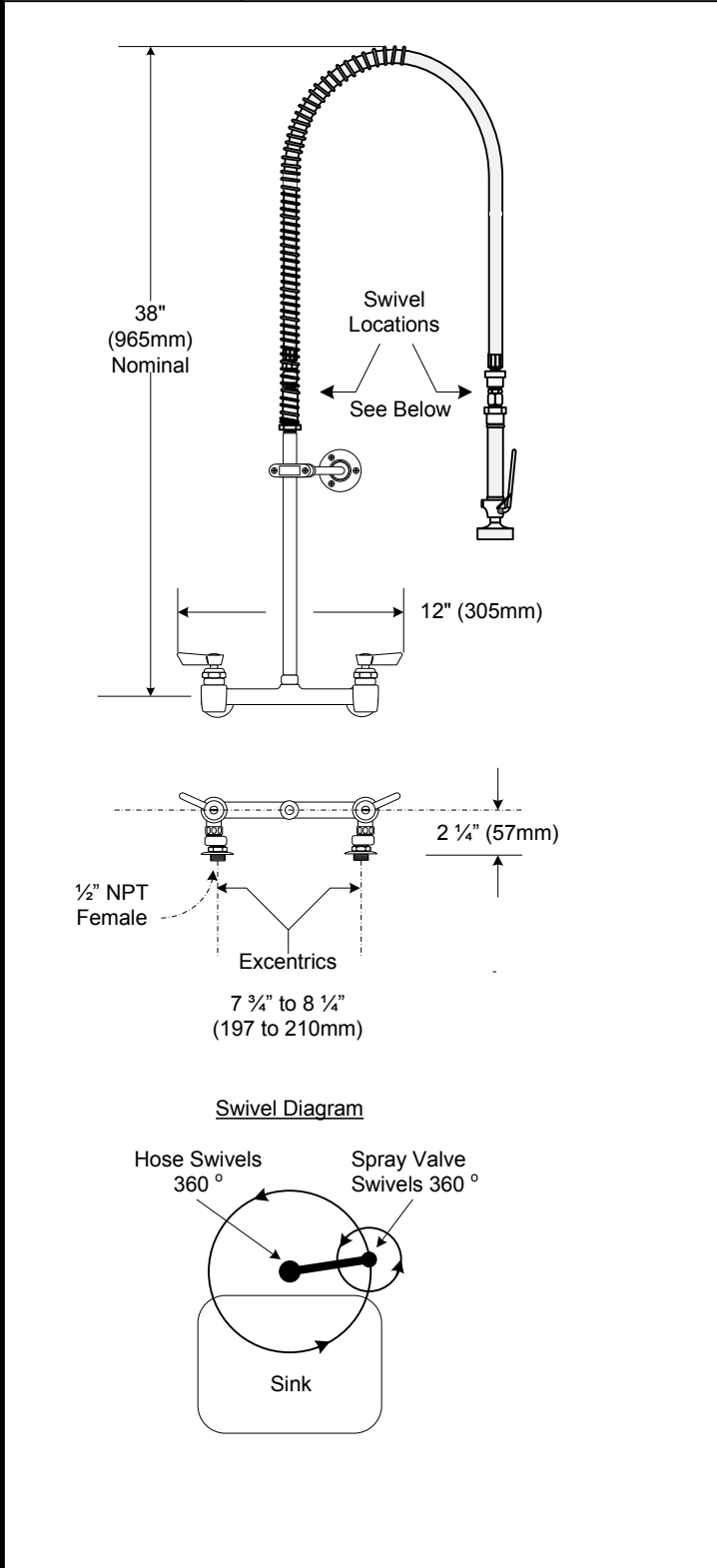


Job #	Model Number:
Job Name:	GIR40-BACKSPASH
Address:	Product Name: GI Flex System, Overhead Spring, Pre-Rinse with 8" Centre Backsplash Mounted Faucet.

Application:	Hose Features:
Quantity:	<ul style="list-style-type: none"> GI Flex Hose System - Patent Pending 40" Hose Length. 360° Swivel Fitting at each end of Hose. Hose can be Swiveled 360° about the Riser Spray Valve can be Swiveled 360° around the Hose New Spring Support Hose, Swivels and Spring Support can be individually replaced in the field Maximum Pressure 3000PSI 15 Times Stronger Hoses Maximum Temperature 280F Double Existing Temperature Range



Control Valve Features:
<ul style="list-style-type: none"> Eccentrics Adjust from 7 3/4" to 8 1/4" Internal Spring Loaded Check Valves Swiveling Seat Discs Hot Side Stem - Right Hand Cold Side Stem - Left Hand Stainless Steel Seats Stainless Steel Seat Screws Stainless Steel Handle Screws

Spray Valve Features:
<ul style="list-style-type: none"> Lowest Energy User 1.15 GPM @ 60 PSI Cleans Faster – Test Proven Engineered to last – No 'O' Rings to Leak Interchangeable – Fits All Brands

Wall Bracket Features:
<ul style="list-style-type: none"> Adjusts from 2" to 12"

--

GI FLEX HOSE SYSTEMS LTD
 UNIT 202, 145 POINT DRIVE NW
 CALGARY, ALBERTA

 Ph: 403 475 4810 Fax: 403 454 1037
 Email: GIFLEXHOSE@SHAW.CA Web: WWW.GIFLEXHOSE.COM